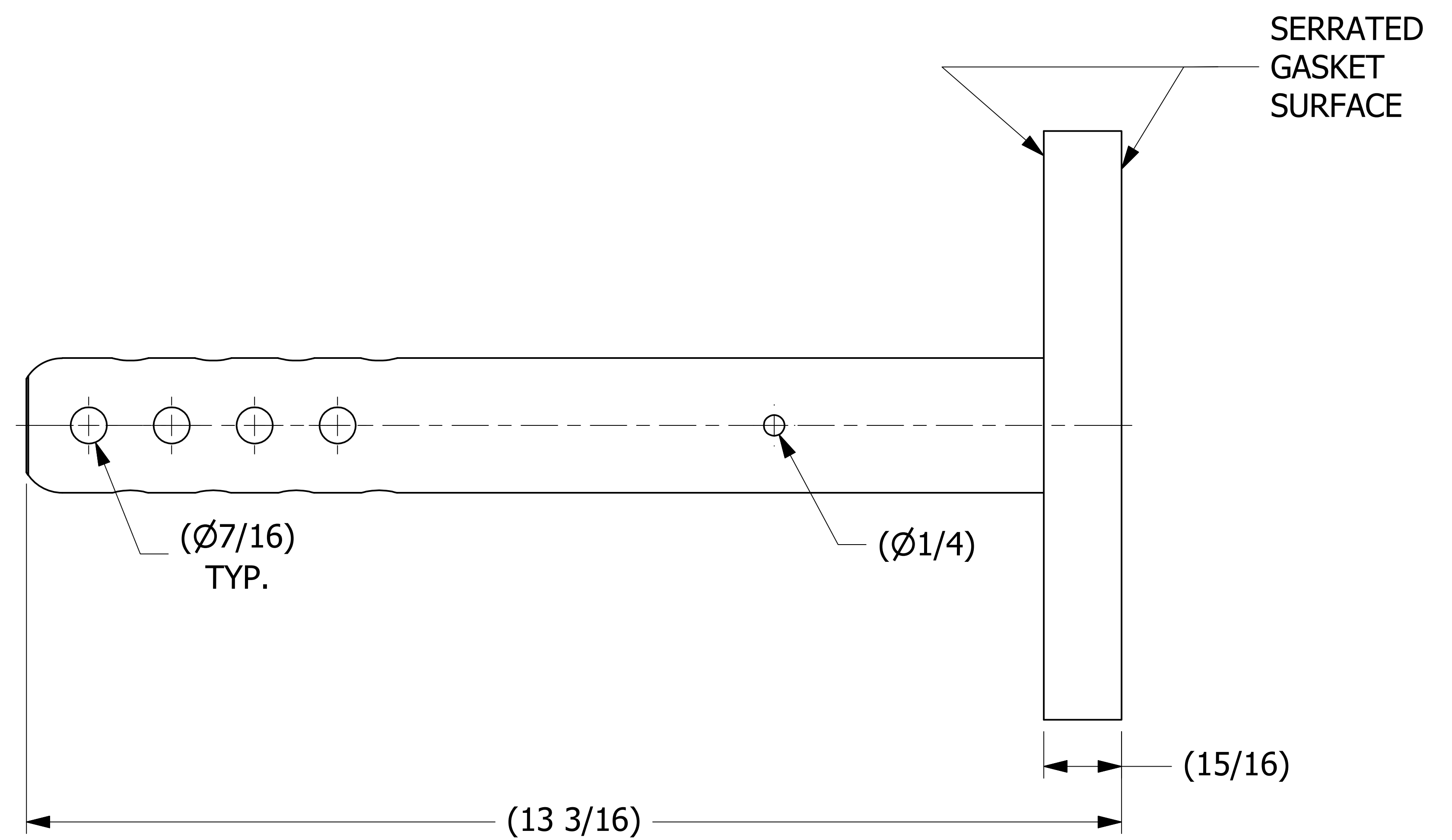
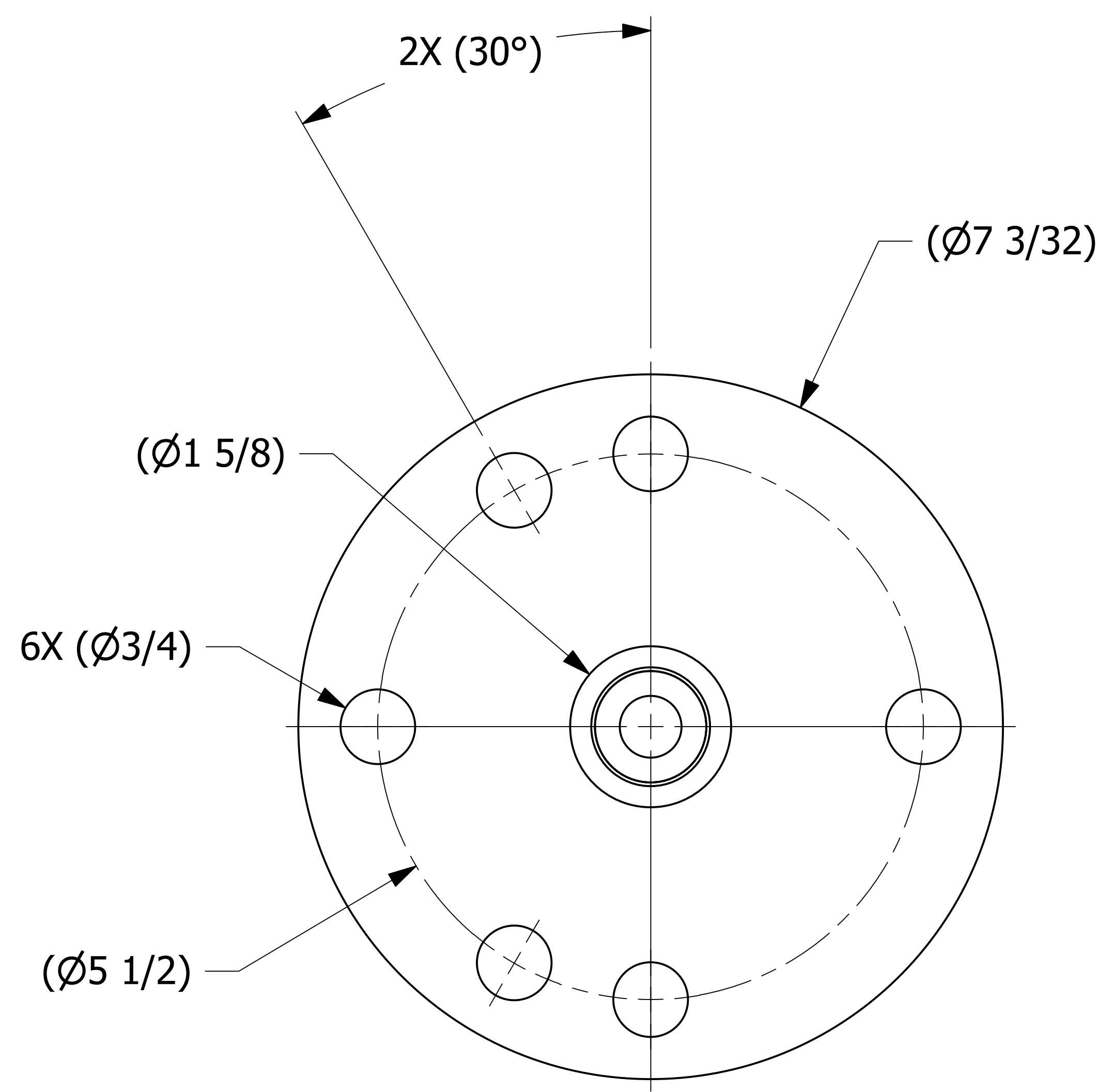


SALES DRAWING SALES DRAWING

SALES DRAWING SALES DRAWING



NOTE:
AAR APPROVAL # E-119002.

REV	BY	DATE	DESCRIPTION
D	KHK	2-12-14	ADDED Ø.25 HOLE
C	WEB	11-5-13	UPDATED TITLE BLOCK, NOTES, AND DIMS
B	ACC	8-6-04	UPDATED BOM AND DESCRIPTION
A	ACC	12-29-03	ADDED PART INTO SYSTEM

<small>UNLESS OTHERWISE SPECIFIED DIMENSIONAL TOLERANCES</small> FRACTIONAL: ±1/16 X.XX: ±.03 X.XXX: ±.015 ANGULAR: ±1° DEBURR ALL SHARP EDGES. ALL MACHINED SURFACES TO HAVE A 125 RMS FINISH UNLESS NOTED OTHERWISE. <small>THIRD ANGLE PROJECTION</small>	DRAWN BY:	ACC
	CHECKED BY:	
	PROTOTYPE BY:	ACC
	PROTOTYPE DATE:	5/28/2013
	APPROVED FOR PRODUCTION BY:	ACC
	PRODUCTION DATE:	12/29/2003

SALCO PRODUCTS, INC.		
PART NAME: SURGE PROTECTOR		
MATERIAL: SALCO POLYETHYLENE		
PROJECT #:	030708	SHEET #: 1 OF 1
DRAWING #:	D18495	PART #: HSSPRD7
SCALE: 1:1		

THIS PRINT, PROPERTY OF SALCO PRODUCTS INC. CONTAINS PROPRIETARY INFORMATION AND MUST NOT BE COPIED, REPRODUCED, OR USED DETRIMENTALLY TO OUR INTEREST.